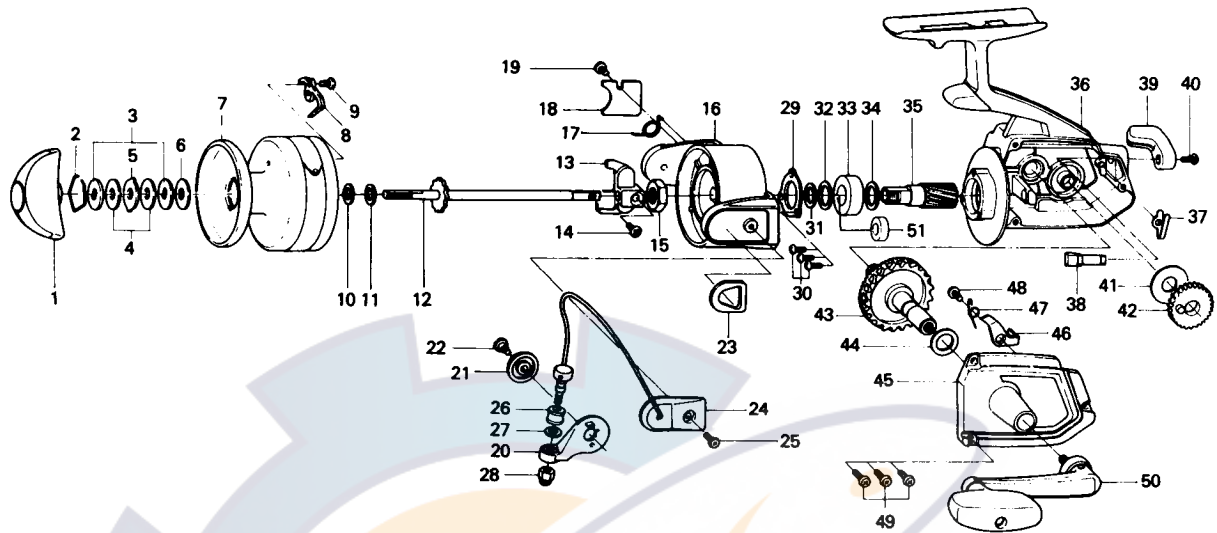


SPINNING REEL B-250



LINE CAPACITY: 275 YDS., 12 LB. TEST (250m. 5.5kg)

Key No. 2 ~ 9

6-731-5404 Spool assembly \$8.10

| Key No. | Parts No. | Parts Name | Price Per Piece | Key No. | Parts No. | Parts Name | Price Per Piece |
|---------|------------|--------------------------|-----------------|---------|------------|---------------------------------|-----------------|
| 1 | 6-740-2103 | Drag knob | \$2.00 | 27 | 6-373-4501 | Roller collar | \$.25 |
| 2 | 6-170-4001 | Drag washer retainer | .10 | 28 | 6-340-8501 | Bail nut | .40 |
| 3 | 6-373-2502 | Drag D washer | .15 | 29 | 6-634-7011 | Pinion collar ret. washer | .25 |
| 4 | 6-374-2901 | Disc washer | .20 | 30 | 6-351-6601 | Pinion collar ret. washer screw | .10 |
| 5 | 6-375-5301 | Drag A washer | .15 | 31 | 6-371-2822 | Pinion washer A | .10 |
| 6 | 6-370-6901 | Drag washer A | .15 | 32 | 6-372-8600 | Pinion washer B | .10 |
| 7 | 6-731-5502 | Spool | N/A | 33 | 6-636-2611 | Shaft metal | 1.15 |
| 8 | 6-030-4511 | Spool click claw | .10 | 34 | 6-371-2822 | Pinion adjusting washer | .10 |
| 9 | 6-351-6101 | Spool click claw screw | .10 | 35 | 6-402-4511 | Pinion gear | 1.50 |
| 10 | 6-374-9000 | Spool adjusting washer | .10 | 36 | 6-700-7301 | Body | 4.50 |
| 11 | 6-374-9001 | Spool washer | .10 | 37 | 6-150-6731 | Anti-reverse cam spring | .15 |
| 12 | 6-710-9123 | Main shaft | .95 | 38 | 6-460-4721 | Anti-reverse cam | .15 |
| 13 | 6-481-2201 | Oscillating slider | .40 | 39 | 6-541-3311 | Anti-reverse lever | .15 |
| 14 | 6-351-8901 | Oscillating slider screw | .10 | 40 | 6-352-2501 | Anti-reverse lever screw | .10 |
| 15 | 6-340-8301 | Rotor nut | .20 | 41 | 6-374-6600 | Oscillating gear washer | .10 |
| 16 | 6-201-7703 | Rotor | 3.00 | 42 | 6-413-2212 | Oscillating gear | .40 |
| 17 | 6-143-5311 | Bail spring | .15 | 43 | 6-413-3021 | Drive gear | 1.85 |
| 18 | 6-632-6411 | Bail spring cover | .15 | 44 | 6-371-2820 | Drive gear washer | .10 |
| 19 | 6-351-1801 | Bail spring cover screw | .10 | 45 | 6-706-0602 | Body cover | 2.35 |
| 20 | 6-230-8121 | Arm lever | 1.40 | 46 | 6-110-9622 | Anti-reverse claw | .20 |
| 21 | 6-130-3201 | Bail holder cap | .10 | 47 | 6-144-2801 | Anti-reverse claw spring | .10 |
| 22 | 6-363-1901 | Arm lever screw | .30 | 48 | 6-351-6102 | Anti-reverse claw screw | .10 |
| 23 | 6-210-3111 | Balancer | .35 | 49 | 6-351-8501 | Body cover screw | .10 |
| 24 | 6-725-1132 | Bail | 1.75 | 50 | 6-746-3802 | Handle | 2.95 |
| 25 | 6-351-6601 | Bail holder screw | .10 | 51 | 6-501-5101 | Pinion collar | .30 |
| 26 | 6-250-2801 | Line roller | .30 | | | | |